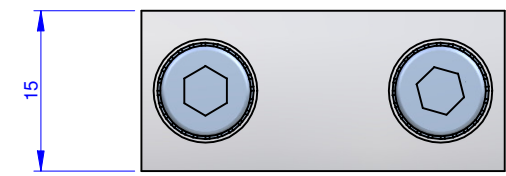
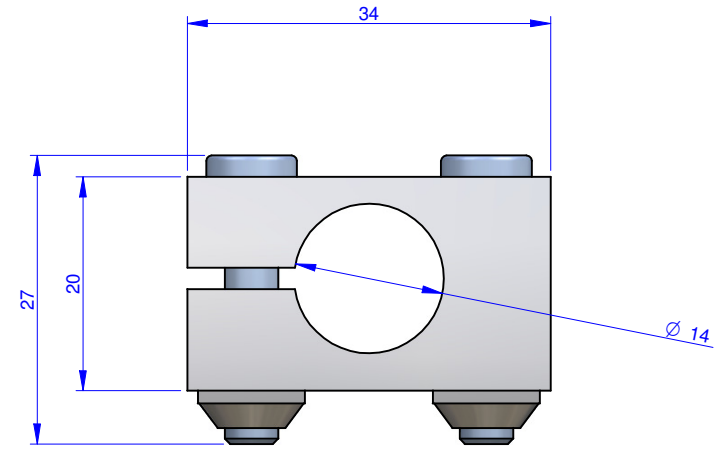
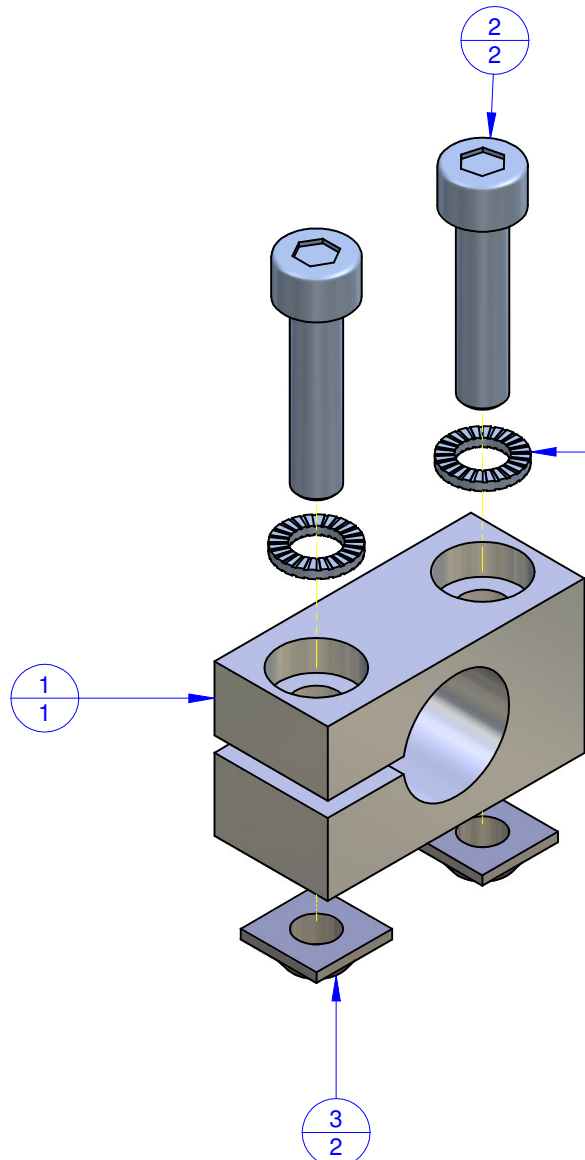


THE PROPERTY OF THIS DRAWING IS ESTABLISHED BY LAW
IT IS FORBIDDEN TO REPRODUCE IT OR SHOW IT TO THIRD PARTY
WITHOUT A WRITTEN AGREEMENT.



Object Number	Name	QTY
1	CA.03.12.005	1
2	V.TCEI M5X22	2
3	CA.02.05.007	2
4	R5.SCH	2

MODIFICATIONS: _____

 (7) (8) (9)
 VARIED DIMENSIONS AS OF DATE: _____

 (10) (11) (12)

MODIFICATIONS: _____

 (1) (2) (3)
 VARIED DIMENSIONS AS OF DATE: _____

 (4) (5) (6)

Format **A3**
 UNI 936-76

FP Services GENERAL TOLERANCE: UNI - ISO 2768 CLASSE f	DESCRIPTION	DESIGNED FROM FPSERVICES	
		DATE 04/2014	WEIGHT 0,000 kg
		CODE CA.03.12.005.5	

